

# LAFORTE® 400 Paper OOH

## Technical Specifications

Ph Technology	Drop on-demand Piezo inkjet technology	
Printhead	Type	2.556 nozzle - 2 colour, Water based
	Drop Size	4pl to 72pl
	Number of printheads	16pcs
Printing Width	Max.	1800mm / 2200mm
	Min.	1200mm
Print Mode	Resolution	600x300, 600x600, 600x900, 600x1200, 900x600, 900x900, 1200x1200
	Passes	1/2/3/4/6/8 (uni and bi-directional)
	Operating temperature	20°C to 30°C (68°F to 86°F)
	Humidity	From 35% to 60% RH (no condensation)
Environmental conditions	Recommended printing environment	Temperature 22°C to 28°C (71.6°F to 82.4°F) Humidity 40%
	Recommended Storage environment	16°C to 38°C (60.8°F to 100.4°F) Store the printer filled with ink
	Operating environment	Traditional place dust proof
Ink	Tank Capacity	5kg/10Kg/20Kg
	aleph® inks	Graphic Pigment A22™
Size	4600 (W) x 2200 (D) x 2400 (H) mm	
Weight	3200 kg (1850 mm) - 3.500 Kg (2200 mm)	
Power	Voltage	400 V ± 10%, 3 Phase + neutral + Earth, 32A
	Frequency	50-60Hz
	Power consumption	12 KW – average running consumption 6Kwh
Compressed Air	Compressed air supply	8 bar
	Air supply quality	Standard ISO 8573.1 – class 2,4,3
Belt system	Air consumption	Max. 250 L/h
	aleph® Rotary Vacuum belt (patented system)	
Feeding System (standard)	Max. roll size Ø	0.5mt diameter / 250Kg
	Pneumatic roll bar	3 inch standard (6 inch optional)
Feeding System (optional)	Max. roll size Ø	1.2mt diameter / 1.5 tons
	Pneumatic roll bar	3 inch standard (6 inch optional)
Take Up unit (optional)	Max. roll size Ø	0.5mt diameter / 250 Kg
	Pneumatic roll bar	3 inch standard (6 inch optional)

## aleph® inks

### A22 - graphic pigment ink

Ink Colour	Substrate Compatibility
● Black	Blue Back paper ●
● Cyan	White Back paper ●
● Magenta	Poster Paper ●
● Yellow	Wall paper ○
● Light Cyano	Corrugate ○
● Light Magenta	Graphic Film ○

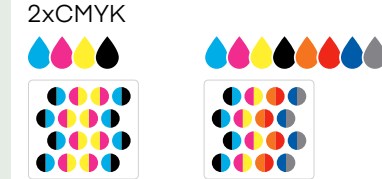
### A22SP - graphic pigment ink

Ink Colour	Substrate Compatibility
● Black	Melaminic Paper ●
● Cyan	Graphic film ●
● Magenta	
● Yellow	
● Light Cyano	
● Light Magenta	

● Recommended Use | ○ Potential Use



### 4 colours 8 colours



16 heads / 4row / 32 colour line

### Speed



2x4 colours	Up to 700 sqm/h
1x8   1x6 colours	Up to 560 sqm/h

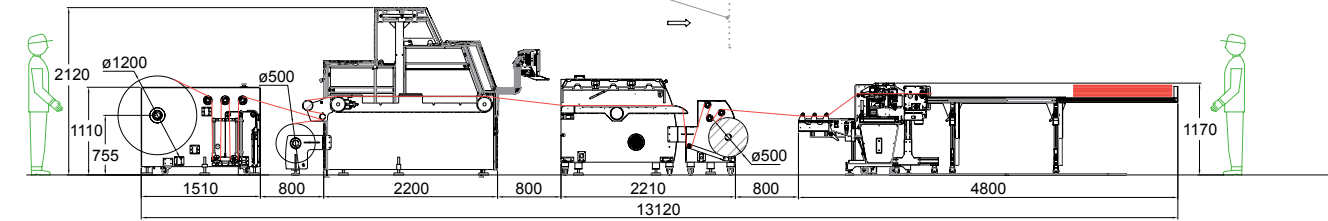
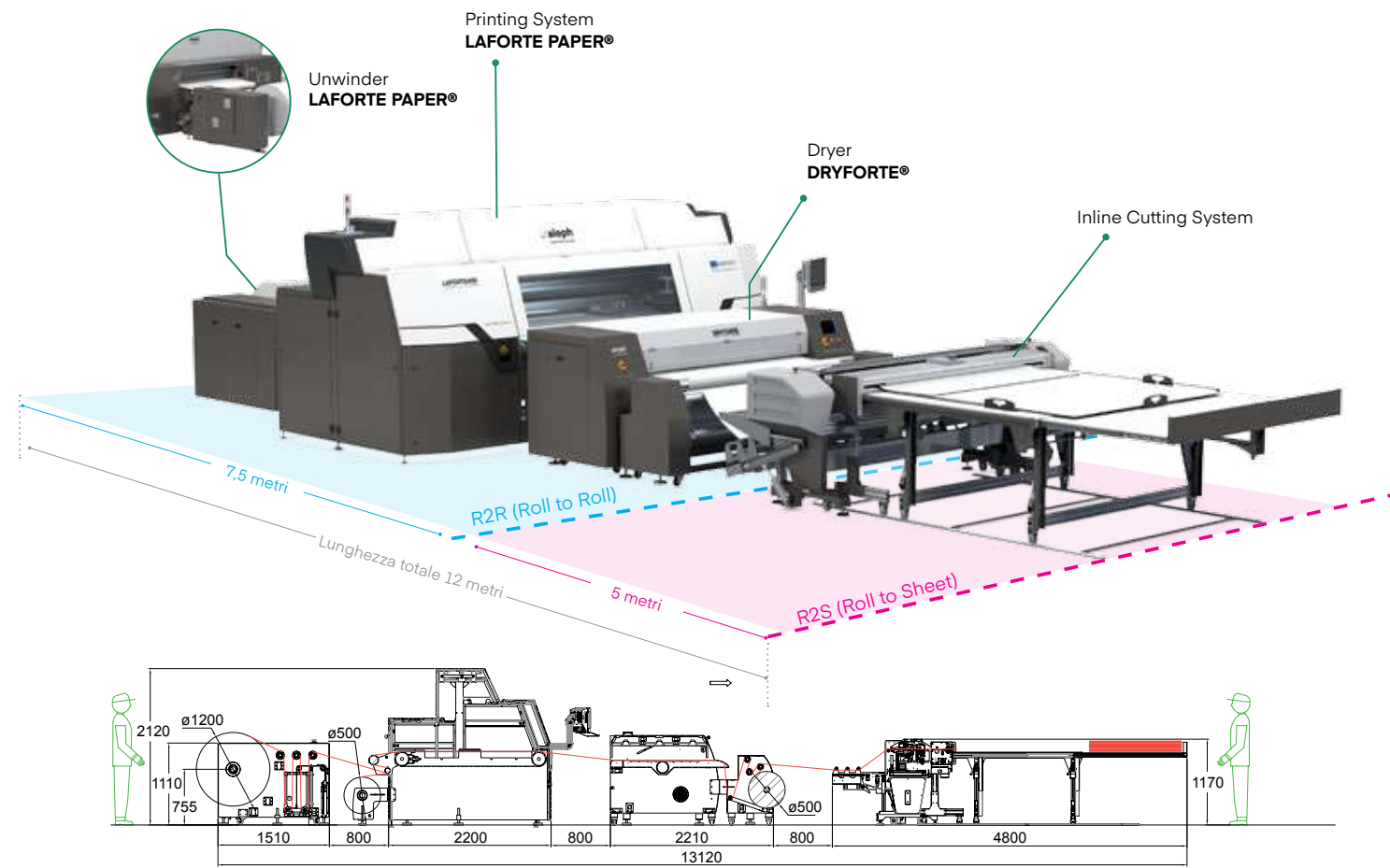
\* All the printing speeds are calculated based on 1500mm-width printer and may vary depending on the substrates, the level of the quality and the selected print width.

## Key Features

Technology Highlights	Distinctive Features
<ul style="list-style-type: none"> <li>✓ <b>Superior Productivity</b> - Up to 700 sqm/h</li> <li>✓ <b>Superior Printing Quality</b> - Variable drop technology - Resolution up to 1200 dpi - Dynamic Stitching Technology (DST) for high-quality multi-pass printing</li> <li>✓ <b>Dual-Channel Printheads</b> - 2 colours per printhead - Drastically reduced maintenance costs due to the smaller number of printheads - High speed and accurate jetting</li> <li>✓ <b>Pioneering Media Feeding System</b> - Proprietary Rotary vacuum belt - Advancement accuracy 40 microns - Enabling more stability and eradicating elongation for superior quality</li> <li>✓ <b>Extremely low energy consumption reducing overall sustainable impact</b></li> </ul>	<ul style="list-style-type: none"> <li>✓ <b>Anti-mist technology &amp; solvent free printing</b> - Healthy environment for the operator - No solvent and glue used on belt</li> <li>✓ <b>Ink Supply System</b> - Automatic negative pressure control - Negative pressure control system on each ink line - Ink tanks from 5kg to 20kg per colour - Plug &amp; Play Ink Tanks</li> <li>✓ <b>Reliable and accurate motion</b> - Magnetic linear motor and double rail for carriage stability - Aluminum bridge 0.02 mm torsion/deflection - Safety system - preventing printheads from collision with the substrates</li> <li>✓ <b>Service</b> - Remote System Control/Assistance - IoT Support - Easy Maintenance</li> <li>✓ <b>Workflow</b> - Interfacing with aleph, Inedit, Ergosoft, Caldera, Onyx</li> </ul>

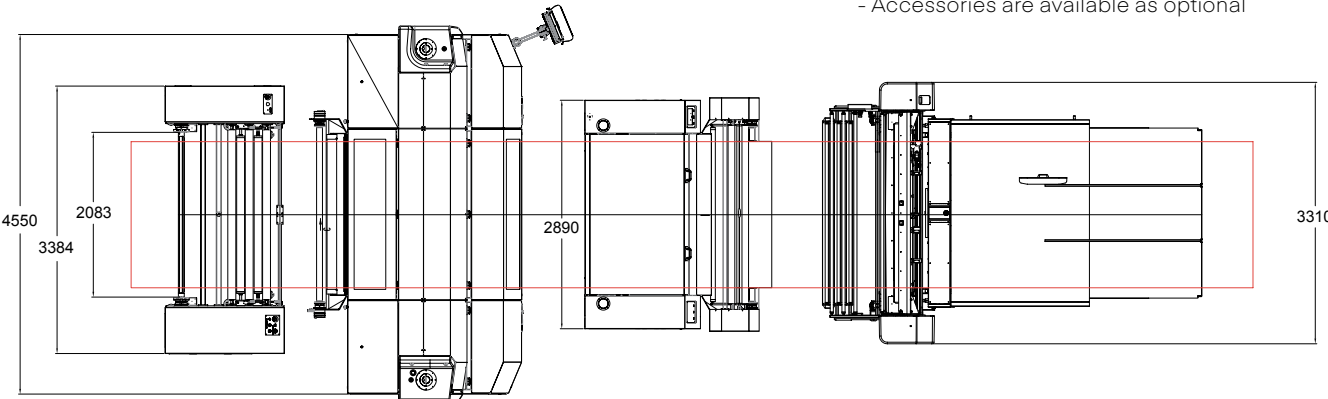


## Integrated Production Line



### Full-line Configuration

- The setting is available for all printer models
- Accessories are available as optional



**aleph Srl**  
Via Giotto, 26  
22075 Lurate Caccivio (CO) - Italia  
T. +39 031 575902  
F. +39 031 3385098

www.alephteam.com  
sales@alephteam.com



Superior Print Quality



Advanced Eco-friendly Technology



Comprehensive, Integrated Solution Enabling Top Performances



Energy-Saving Production Process



# LAFORTE<sup>®</sup> 400 PAPER



Up to 700 sqm/h

MADE IN ITALY

## aleph

In printing, we care

aleph specialises in developing and manufacturing advanced direct-to-fabric and direct to paper inkjet printers for the textile and visual communication industries and provides its customers with total, integrated solutions.

Founded in 1999 and headquartered at the heart of the Italian textile district of Como, the company has grown to become one of the leading international players in the digital printing space. With a dedicated sales force and a widespread distribution network, aleph operates in key textile and out-of-home markets across the globe.

The company's extensive experience in the textile industry has enabled aleph to progressively expand the offer and boost the service, with the final goal to actively contribute to customers' success. aleph offers integrated printing solutions, featuring proprietary software, cutting-edge digital printers, as well as drying systems and consumables.

aleph's green policy focuses on environmental and social sustainability. With the company steadily focused on innovation, aleph's customers can benefit from cost-effective technologies with reduced environmental impact and designed to increase the users' green reputation.

## LAFORTE Paper<sup>®</sup> Series



LAFORTE 100



LAFORTE 200



LAFORTE 600

## Advanced Industrial high speed Digital Printer for Billboard & Poster

**aleph<sup>®</sup>**  
in printing, we care