

LAFORTE® 100 Fabric

Technical Specifications

Ph Technology	Drop on-demand Piezo inkjet technology	
Printhead	Type	2.556 nozzle - 2 colour, Water based
	Drop Size	4pl to 72pl
	Number of printheads	8pcs
Printing Width	Max.	1850mm
	Min.	100mm
Print Mode	Resolution	600x300, 600x600, 600x900, 600x1200, 900x600, 900x900, 1200x1200
	Passes	1/2/3/4/6/8 (uni and bi-directional)
	Operating temperature	20°C to 30°C (68°F to 86°F)
Environmental conditions	Humidity	From 35% to 60% RH (no condensation)
	Recommended printing environment	Temperature 22°C to 28°C (71.6°F to 82.4°F) Humidity 40%
	Recommended Storage environment	16°C to 38°C (60.8°F to 100.4°F) Store the printer filled with ink
	Operating environment	Traditional place dust proof
Ink	Tank Capacity	5kg/10Kg/20Kg
	aleph® inks	Acid, Disperse, Reactive, Nano TX Pigment M22™
Size	4680 (W) x 1550 (D) x 2250 (H) mm	
Weight	2400 kg	
Power	Voltage	400 V ± 10%, 3 Phase + neutral + Earth, 32A
	Frequency	50-60Hz
	Power consumption	12 KW – average running consumption 6Kwh
Compressed Air	Compressed air supply	8 bar
	Air supply quality	Standard ISO 8573.1 – class 2,4,3
	Air consumption	Max. 250 L/h
Water	Water pressure	Min. 4 bar max. 5bar
	Water flow rate	50 to 100 litres per hour
Belt system	Rotary Sticky belt	
Feeding System (standard)	Max. roll size Ø	0.5mt diameter / 200Kg
	Pneumatic roll bar	2 inch standard (3 inch optional)
Feeding System (optional)	Max. roll size Ø	1.5mt diameter / 1 tons
Take Up unit (optional)	Max. roll size Ø	0.5mt diameter / 200 Kg
	Pneumatic roll bar	2 inch standard (3 inch optional)

aleph® inks

Substrate Compatibility

	Pigment	Reactive	Acid	Disperse
Nylon	○	○	●	○
Nylon Lycra	○	○	●	○
Polyester	○			●
Silk	○	○	●	
Cotton	●	●		
Polycotton	●			
Viscose/Rayon	●	●		
Linen	●	○		
Wool	○	○	●	

Ink Colour ● Recommended Use | ○ Potential Use

Pigment inks

Black Cyan Magenta Yellow Orange Green Red Violet

Reactive

Black Cyan Magenta Yellow Red Orange Blue Light Black

Acid

Black Cyan Magenta Yellow Red Orange Blue Light Black

Disperse

Black Cyan Magenta Yellow Violet Red Orange Grey



4 colours 2xCMYK
6/8 colours 2x

8 heads / 1 row / 16 colour line

Speed



2x4 colours **Up to 280 sqm/h**

1x8 | 1x6 colours **Up to 140 sqm/h**

* All the printing speeds have been calculated based on 1500mm-width printer and may vary depending on the substrates, the level of the quality and the selected print width.

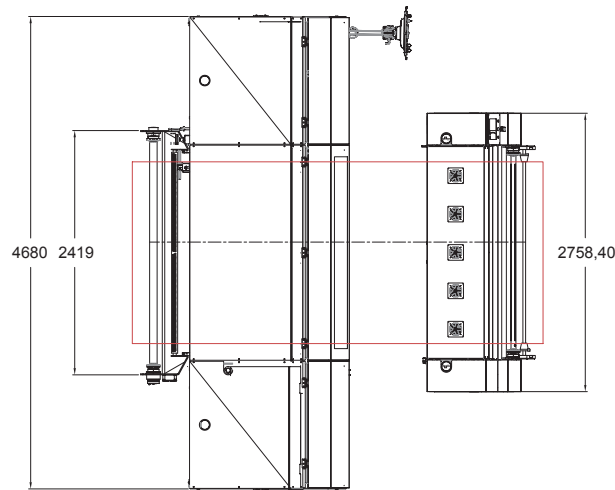
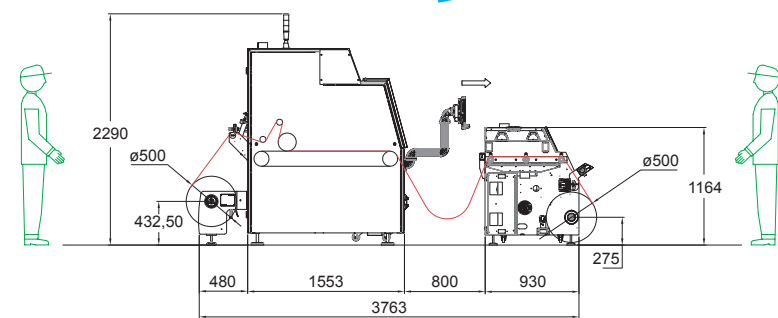
Key Features

Technology Highlights	Distinctive Features
<ul style="list-style-type: none"> ✓ Superior Productivity - Up to 280 sqm/h 	<ul style="list-style-type: none"> ✓ Anti-mist technology & solvent free printing - Healthy environment for the operator
<ul style="list-style-type: none"> ✓ Superior Printing Quality - Variable drop technology - Resolution up to 1200 dpi - Dynamic Stitching Technology (DST) for high-quality multi-pass printing 	<ul style="list-style-type: none"> ✓ Ink Supply System - Automatic negative pressure control - Negative pressure control system on each ink line - Ink tanks from 5kg to 20kg per colour - Plug & Play Ink Tanks
<ul style="list-style-type: none"> ✓ Dual-Channel Printheads - 2 colours per printhead - Drastically reduced maintenance costs due to the smaller number of printheads - High speed and accurate jetting 	<ul style="list-style-type: none"> ✓ Reliable and accurate motion - Magnetic linear motor and double rail for carriage stability - Aluminum bridge 0.02 mm torsion/deflection - Safety system - preventing printheads from collision with the substrates
<ul style="list-style-type: none"> ✓ Pioneering Media Feeding System - Rotary sticky belt - Advancement accuracy 40 microns - Enabling more stability and eradicating elongation for superior quality 	<ul style="list-style-type: none"> ✓ Service - Remote System Control/Assistance - IoT Support - Easy Maintenance
<ul style="list-style-type: none"> ✓ Extremely low energy consumption reducing overall sustainable impact 	<ul style="list-style-type: none"> ✓ Workflow - Interfacing with aleph, Inedit, Ergosoft, Caldera, Onyx



- Compact design and robust frame**
- Advanced Inkjet Printing Technology**
Variable drop – from 4pl to 72pl (2.656 nozzles – 2 colours – Resolution up to 1200 dpi)
- Dual-Channel Printheads**
2 colours for printhead enabling high print accuracy with smaller number of printhead
- Cutting-edge Sublimation Inks**
4 / 6 / 8 colours
Ink tank capacity: 5/10/20 kg/lt
- Pioneering Media Feeding system**
Rotary sticky belt
Advancement accuracy 40 microns
- DST – Dynamic Stitching Technology for high-quality multi-pass printing**
- Anti-mist technology & Solvent-free printing**
- User-friendly Touch Panel and Ethernet 1/10 GB Interface**
- Low power consumption**

Integrated Production Line



Full-line Configuration

- The setting is available for all printer models
- Accessories are available as optional

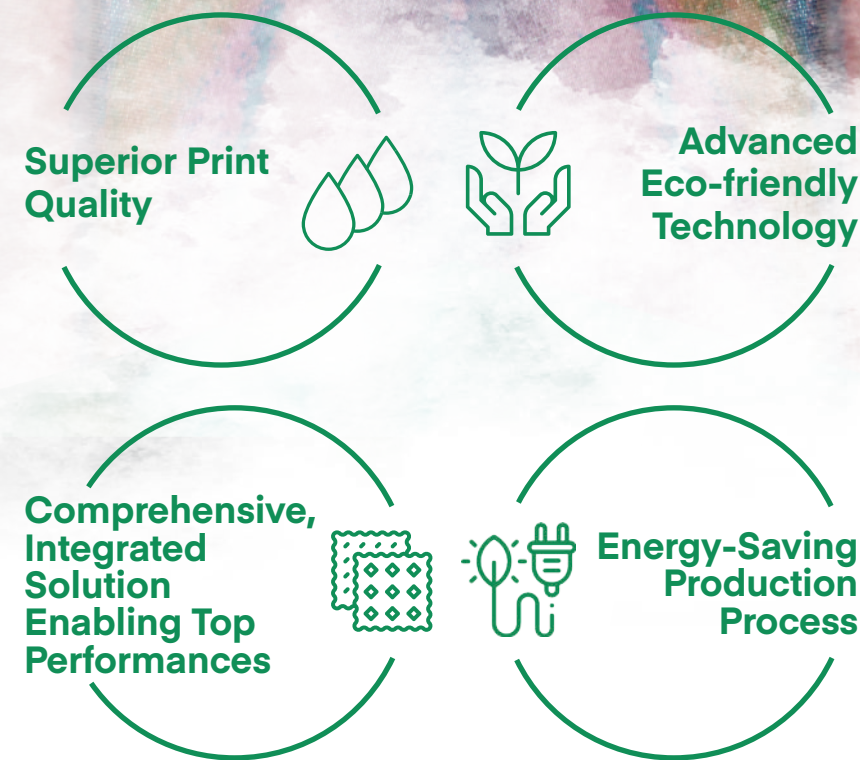
aleph Srl
Via Giotto, 26
22075 Lurate Caccivio (CO) - Italia
T. +39 031 575902
F. +39 031 3385098

www.alephteam.com
sales@alephteam.com



LAFORTE[®] 100

FABRIC



MADE IN ITALY

aleph

In printing, we care

aleph specialises in developing and manufacturing advanced direct-to-fabric and direct to paper inkjet printers for the textile and visual communication industries and provides its customers with total, integrated solutions.

Founded in 1999 and headquartered at the heart of the Italian textile district of Como, the company has grown to become one of the leading international players in the digital printing space. With a dedicated sales force and a widespread distribution network, aleph operates in key textile and out-of-home markets across the globe.

The company's extensive experience in the textile industry has enabled aleph to progressively expand the offer and boost the service, with the final goal to actively contribute to customers' success. aleph offers integrated printing solutions, featuring proprietary software, cutting-edge digital printers, as well as drying systems and consumables. aleph's green policy focuses on environmental and social sustainability. With the company steadily focused on innovation, aleph's customers can benefit from cost-effective technologies with reduced environmental impact and designed to increase the users' green reputation.

LAFORTE Fabric[®] Series



LAFORTE 200



LAFORTE 400



LAFORTE 340



LAFORTE 600

Cost-effective Direct to Fabric Digital Printer

aleph[®]
in printing, we care